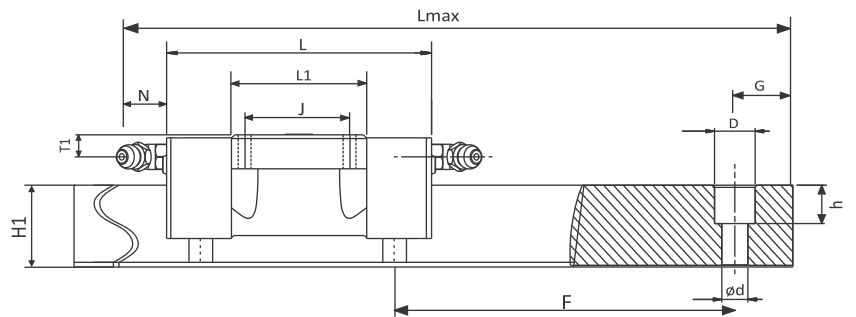
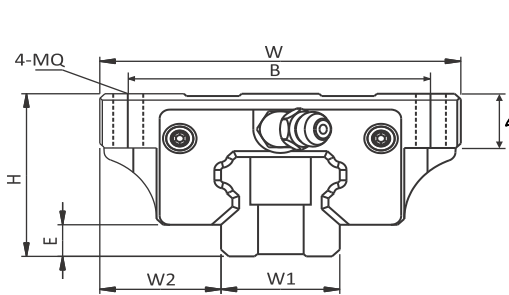
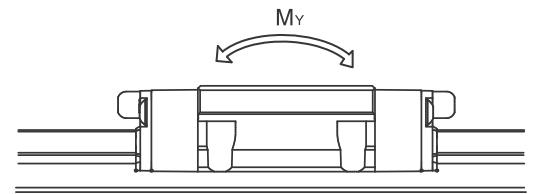
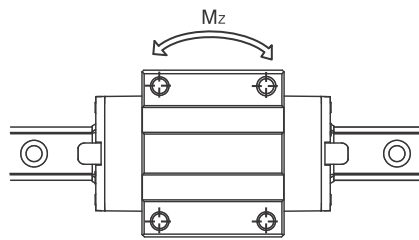
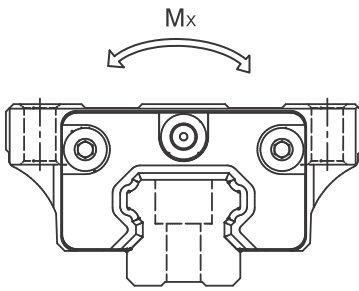


BCC-A0/LA



BC-A0

BC-LA



کد کلاس	Assembly (mm)				BR block (mm)							BR rail (mm)				قیمت	
	H	W	W2	E	L	BxJ	MQx∅	L1	Oil hole	T1	(N)	W1	H1	F	dxDxh	دلار	تومان
BCC 55A0	70	140	43.5	12.7	181	116x95	M14x21	131	M8x1	20	16	53	38	120	16x23x20.1		
BCC 55LA	70	140	43.5	12.7	223	116x95	M14x21	173	M8x1	20	16	53	38	120	16x23x20.1		

کد کلاس	Ref.Data (mm)		Basic Load Rating (kgf)		Static Moment (kgf*m)			Weight	
	Lmax	G	C	CO	Mx	My	Mz	Block (kg)	Rail (kg/m)
BCC 55A0	4000	30	7600	12800	446	355	355	5.4	14.5
BCC 55LA	4000	30	9300	17100	580	600	600	7.1	14.5

